

COMMERCIAL STANDARD
Product Specifications

Shape	Elongated
Seat Material	Polypropylene
Seat Form	Open front
Commercial Hinge	Yes
Bolt Material	Plastic
Hardware Material	Plastic
Check Hinge	No
Cover	No
Custom Gasket	Yes
Color	White

Warranty	1 year limited warranty
-----------------	-------------------------

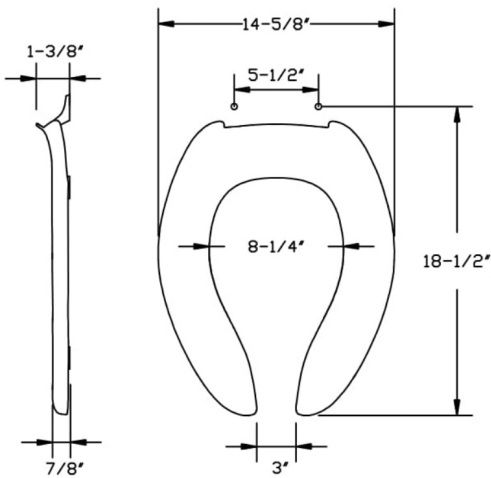
Available Colors	White, black,
-------------------------	---------------

Features
Length Adjustment

Seat can be adjusted during installation for proper fit.

Commercial Hinge

Includes commercial grade hinges. One piece solid metal hinge pin and bolt over molded with plastic.



Dimensions shown are nominal and may vary within a range of tolerance. Product specifications are subject to change without notice.